



CHRIST CHURCH GRAMMAR SCHOOL

YEAR 12

PHYSICS STAGE 3

TRIAL EXAMINATION 2015

<p>Stick Label Here</p>

1		
2		
3		
Total		/ 180 = %

Time allowed for this paper

Reading time before commencing work: ten minutes

Working time for paper: three hours

Materials required/recommended for this paper

To be provided by the supervisor

This Question/Answer Booklet

Formulae and Data Booklet

To be provided by the candidate

Standard items: pens (blue/black preferred), pencils (including coloured), sharpener, correction fluid/tape, eraser, ruler, highlighters

Special items: non-programmable calculators approved for use in the WACE examinations, drawing templates, drawing compass and a protractor

Important note to candidates

No other items may be taken into the examination room. It is **your** responsibility to ensure that you do not have any unauthorised notes or other items of a non-personal nature in the examination room. If you have any unauthorised material with you, hand it to the supervisor **before** reading any further.

Structure of this paper

Section	Number of questions available	Number of questions to be answered	Suggested working time (minutes)	Marks available	Percentage of exam
Section One: Short Answers	14	14	50	54	30%
Section Two: Problem-Solving	8	8	90	90	50%
Section Three: Comprehension	2	2	40	36	20%
				Total	100

Instructions to candidates

1. Write your answers in this Question/Answer Booklet
2. When calculating numerical answers, show your working or reasoning clearly. Give final answers to three significant figures and include appropriate units where applicable.
3. You must be careful to confine your responses to the specific questions asked and to follow any instructions that are specific to a particular question.
4. The Formulae and Data booklet is **not** handed in with your Question/Answer Booklet.

**YEAR 12
PHYSICS STAGE 3
TRIAL EXAMINATION 2015**

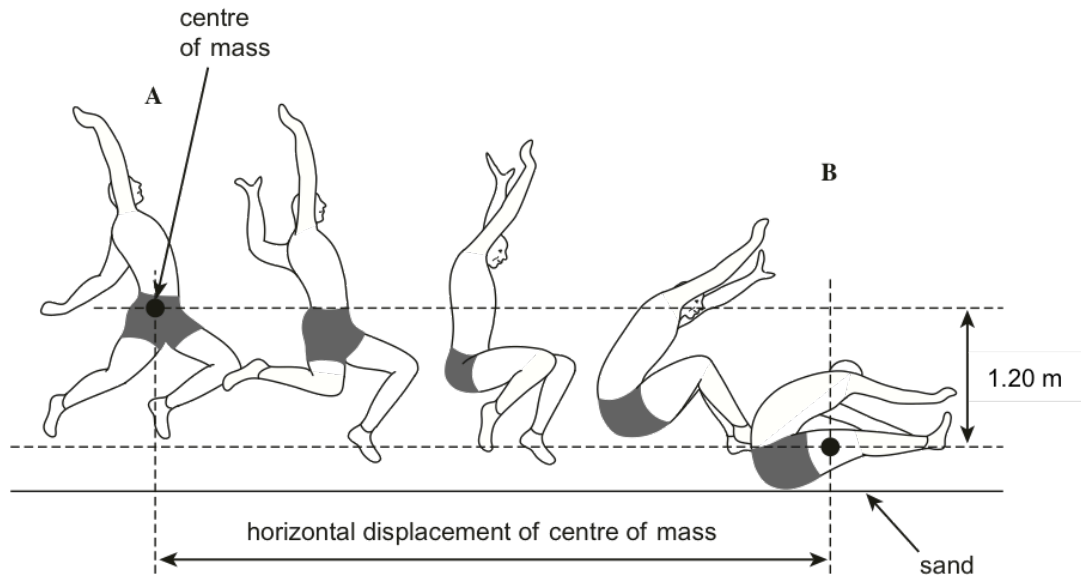
Section One: Short Response

This section has **fourteen (14)** questions. Answer **all** questions. Write your answers in the space provided.

Suggested working time for this section is **50 minutes**.

Question 1**(4 marks)**

The diagram below shows the path of a long jumper from half-way through a jump at position A, to position B when contact is made with the sand on the ground.



During this part of the jump, the centre of mass of the athlete falls 1.20 m.

The athlete is moving horizontally at A with a velocity of 8.50 ms^{-1} . Calculate the magnitude of horizontal displacement of the athlete's centre of mass from A to B.

Question 2**(3 marks)**

A piece of wire is placed in a magnetic field of 19.6 mT and experiences a force of 17.0×10^{-3} N when a current of 2.40 A flows through it. Calculate the length of the wire.

Question 3**(4 marks)**

Explain how an opera singer can break a glass using only their voice and name the phenomenon that causes this to happen.

Question 4**(4 marks)**

Quarks are a group of fundamental particles that make up matter, including particles such as the kaon, K^+ .

Quarks have the following properties:

Quark	Charge
Up	+ 2/3 e
Down	- 1/3 e
Charm	+ 2/3 e
Strange	- 1/3 e
Top	+ 2/3 e
Bottom	- 1/3 e

- (a) Using the information in the table above determine the correct quark structure of the K^+ . Circle your chosen answer.

(1 mark)

$u\bar{s}$

us

$s\bar{u}$

- (b) The K^+ is classified as a meson, rather than a baryon. State why this is the case.

(2 marks)

- (c) State the quark makeup of the antiparticle of a K^+ .

(1 mark)

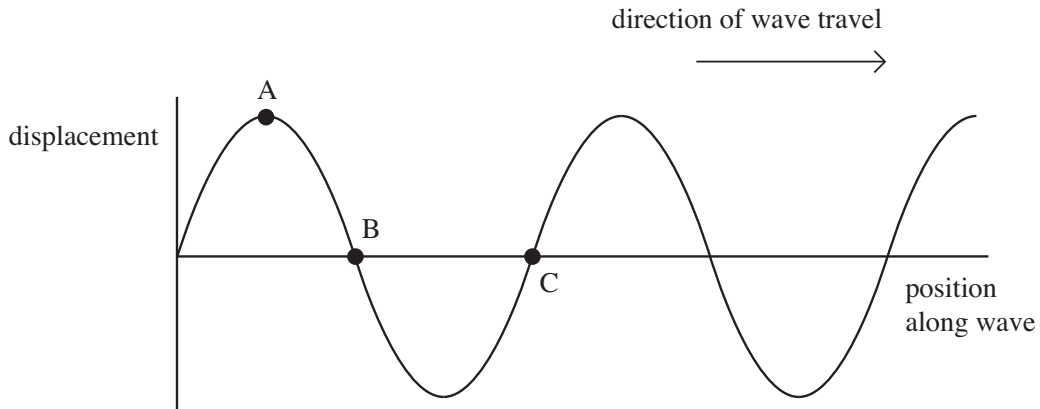
Question 5**(3 marks)**

Calculate the energy produced if a chicken, of mass 3.00 kg, is converted entirely to electromagnetic radiation.

Question 6

(3 marks)

The graph below shows the displacement of particles at a given instant, for different positions along a transverse wave.



(a) State the phase difference between:
 (i) points A and B on the wave. (2 marks)

(ii) points A and C on the wave.

(b) State the direction of the motion of the particle at point B. (1 mark)

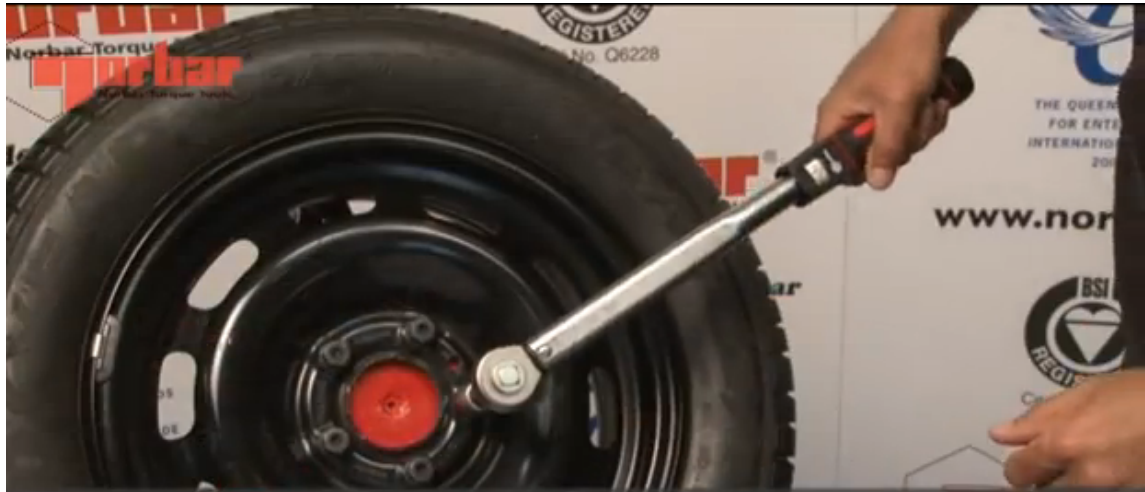
Question 7

(2 marks)

An earth bound physicist and an astronaut are having a discussion as to how the astronaut can measure the speed of his rocketship using only a single ruler. The astronaut will be travelling at approximately $0.8c$. The astronaut thinks that he should take the ruler so that he can measure its length contraction. Explain if the astronaut's reasoning is correct.

Question 8**(5 marks)**

A torque wrench is used to tighten the bolts on a tyre. If the wrench is set to deliver 100 Nm of torque, estimate the magnitude of force that must be applied at the handle of the wrench, as shown in the diagram below. It can be assumed that the force is applied at 90.0° to the handle. State any estimations.



Question 11**(4 marks)**

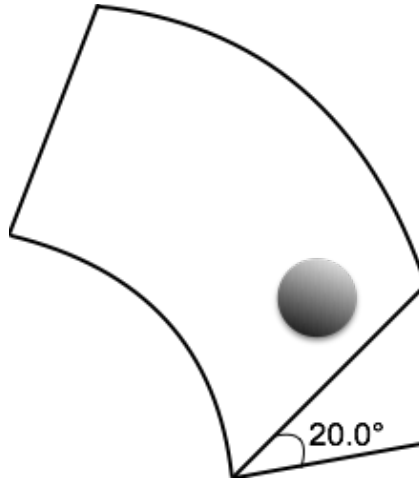
A narrow glass tube, 0.500 m long, is sealed at its bottom end. A loudspeaker, that is connected to a signal generator, is placed over the open end of the tube. A tone with a gradually increasing frequency is played through the loudspeaker. If a loud resonance is first heard at 172 Hz, calculate the speed of sound in the room. Sketch a diagram to support your reasoning.

Question 12**(3 marks)**

Calculate the gravitational force acting on the planet Mercury from the Sun, given that the mean Sun-Mercury distance is 57.9×10^6 km and the mass of Mercury is 329×10^{21} kg.

Question 13**(5 marks)**

A children's game is based around the movement of a marble. In one part the marble rolls around a circular path that is banked at 20.0° to the horizontal. A child playing the game wants to see if he can make the marble roll at a constant horizontal level around the bank.



The marble he uses has a mass of 5.00 g. Calculate the speed at which the marble must be travelling in order to complete the curve if the radius of curvature of the path is 30.0 cm.

Question 14

(6 marks)

The two images below show spectra for the same element in different conditions. See extra colour images provided.

Image 1:

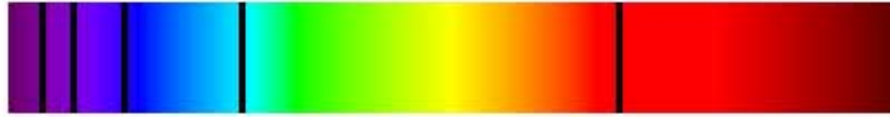


Image 2:



- (a) State what type of spectrum each image shows. (2 marks)

Image 1: _____

Image 2: _____

- (b) Explain how image 1 has been formed. (4 marks)

END OF SECTION

**YEAR 12
PHYSICS STAGE 3
TRIAL EXAMINATION 2015**

Section Two: Problem-Solving

This section has **eight (8)** questions. Answer **all** questions. Write your answers in the space provided.

Suggested working time for this section is **90 minutes**.

NAME: _____

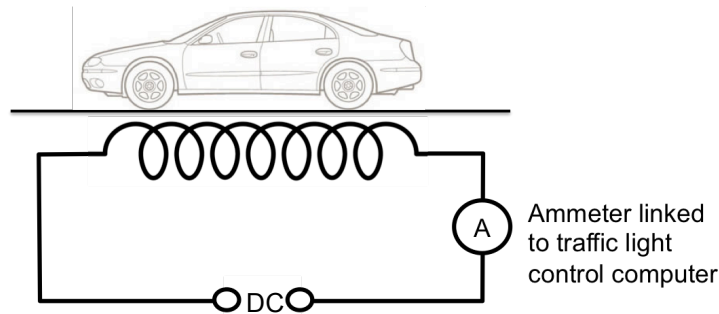
This page has been left blank intentionally

Question 1

(12 marks)

Inductive-loop traffic detectors are used in traffic light systems to determine when a car arrives at a junction. They are made of loops of wire buried just below the surface of the road which are connected across a DC power supply of constant potential difference.

A diagram showing the loops under the surface of the road is shown below.



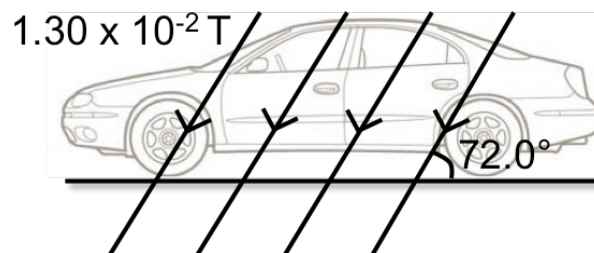
- (a) State what will happen to the reading on the ammeter when a car starts to drive over the loop. (1 mark)

- (b) Explain your answer to part (a). (5 marks)

- (c) If a car remains stationary over the loop, state what effect this will have on the reading of the ammeter and explain your reasoning.

(3 marks)

In one such device the idealised field from part of the solenoid is shown below. A car of length 2.30 m and width 1.50 m drives at a constant speed above the section of solenoid.



- (d) Assuming the car behaves like a sheet of metal, calculate the amount of flux that it interacts with.

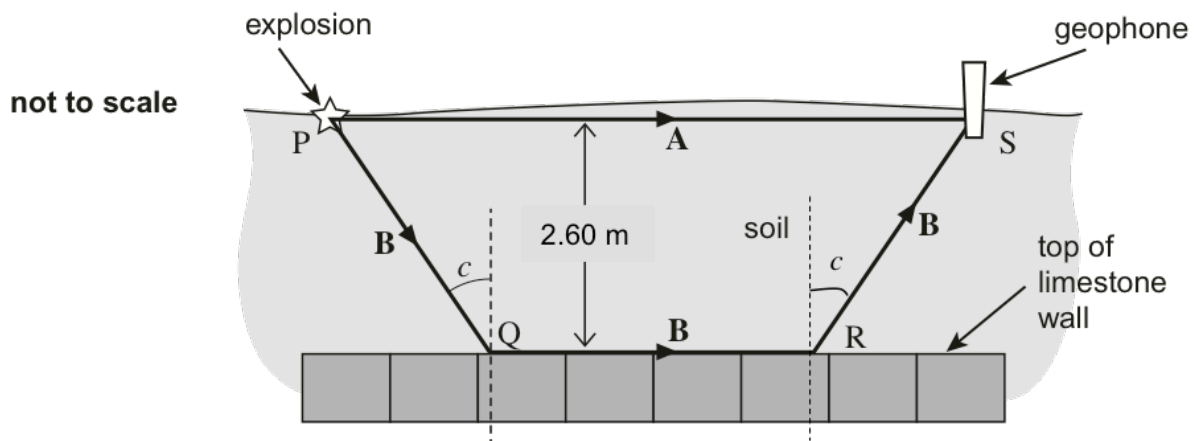
(3 marks)

Question 2**(13 marks)**

The diagram below illustrates a geophone being used to detect sound waves generated by a small surface explosion on an archeological site. An explosion is detonated at ground level 2.60 m above a buried limestone wall. The most direct path, A, for the sound is along the soil surface. Another sound wave, following path B, meets and leaves the limestone at angle c , which is 37.0° to the vertical. This wave is refracted into the limestone and travels along the top edge of the wall, within the limestone.

Speed of sound in soil = 1.80 km s^{-1}

Speed of sound in limestone = 3.00 km s^{-1}



The length of path A is 9.80 m.

- (a) Calculate the time taken for the sound to reach the geophone along path A.

(2 marks)

- (b) Determine the lengths PQ, QR and RS and use these to find the time taken for the sound to reach the geophone along path B. (5 marks)

- (c) The wavelength of the sound in the soil is 190 m. Calculate the wavelength of the sound in the limestone. (4 marks)

The speed of sound in a medium can be calculated using the following formula:

$$v = \sqrt{\frac{B}{\rho}}$$

Where B is the bulk modulus of the material, which is a measure of a substance's resistance to a change in volume, and ρ is the density.

The table below shows properties of limestone and soil:

	Limestone	Soil
ρ (kgm^{-3})	1.50×10^3	1.20×10^3
B (Nm^{-2})	84.0×10^9	23.0×10^8

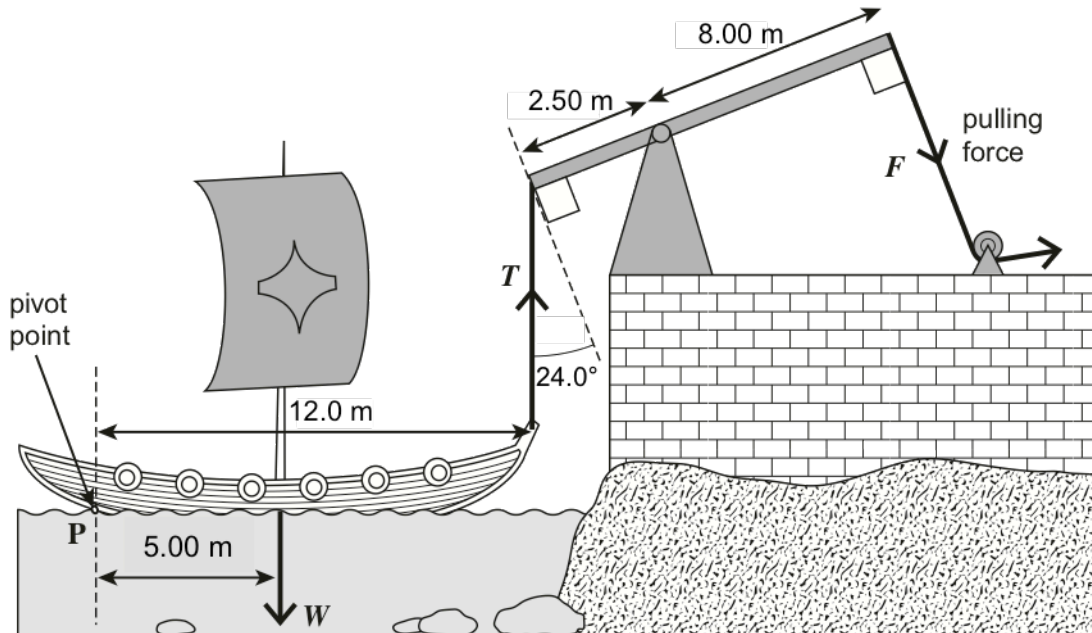
- (d) Explain why the speed of sound in limestone is significantly greater than in soil.

(2 marks)

Question 3

(7 marks)

Huge levers may have been used to sink ships in Roman times. A possible system is shown below where a rope is hooked on to the front of the ship and the lever is pulled by several men. The weight of the ship is $3.40 \times 10^4 \text{ N}$.



- (a) Calculate the magnitude of the minimum vertical force, T , required to start to raise the front of the ship.

(3 marks)

- (b) Calculate the magnitude of minimum force, F , that must be exerted to start to raise the front of the ship.

(4 marks)

Question 4

(16 marks)

A fluorescent tube is filled with mercury vapour at low pressure. A current is passed through the tube, exciting the mercury atoms. After the mercury atoms have been excited they emit photons. These photons interact with the coating on the inside of the fluorescent tube to emit visible light.

- (a) State which part of the electromagnetic spectrum the photons emitted from the mercury atoms are from.

(1 mark)

(b) Describe what is meant by an excited mercury atom.

(1 mark)

(c) Explain how the mercury atoms in the fluorescent tube become excited.

(2 marks)

(d) Explain why the excited mercury atoms emit photons of characteristic frequencies.

(3 marks)

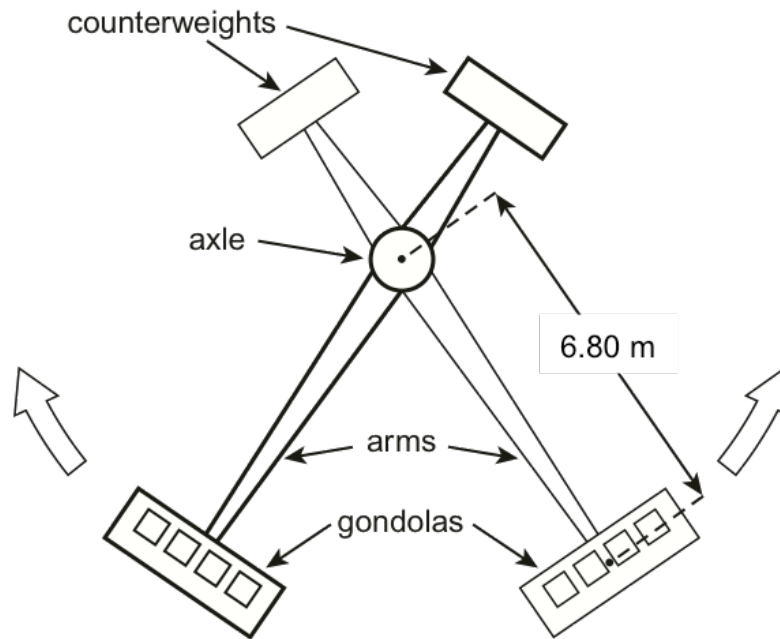
- (e) The wavelength of some of the photons emitted by excited mercury atoms is 254 nm. Calculate the energy of the photons in electron volts (eV).
(4 marks)

- (f) Explain, with the aid of a diagram, how the coating on the inside of a fluorescent tube emits visible light.
(5 marks)

Question 5

(12 marks)

In a theme park ride, shown below, passengers are seated in a pair of gondolas that move in vertical circles in opposite directions. Each gondola system includes the gondola, a very heavy counterweight and the arm on which it is mounted. The distance between the centre of the axle and the centre of mass of a gondola is 6.80 m.



- (a) Explain how the counterweights can be effective, even though the arms on which they are mounted are shorter than the arms carrying the gondolas. (3 marks)

The ride starts from rest with both gondolas at the bottom. A motor is used to accelerate each gondola system uniformly from rest to a speed of 9.50 ms^{-1} . The gondolas then move in a circular at a constant speed of 9.50 ms^{-1} .

- (b) Calculate the centripetal force exerted on a passenger of mass 86.0 kg when the gondolas are moving at constant speed.

(3 marks)

- (c) Calculate the normal force exerted on the passenger by his or her seat when the gondola is at the top of its circular path.

(4 marks)

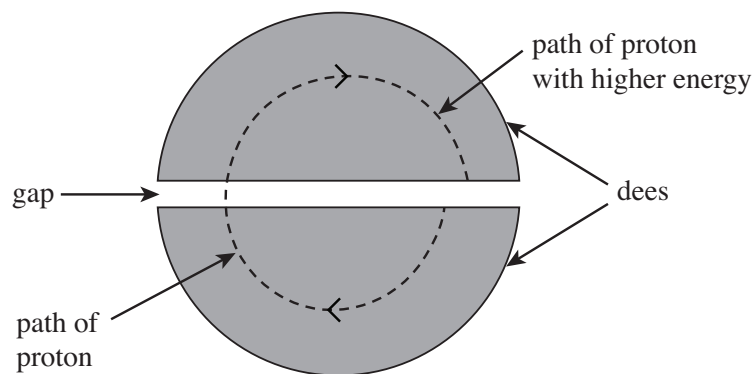
- (d) Describe how the magnitude of this normal force varies during one complete rotation of the gondola.

(2 marks)

Question 6**(9 marks)**

A cyclotron is a piece of equipment that is designed to produce high energy protons. In order to do this, the protons pass repeatedly between two hollow D-shaped containers called 'dees'.

The protons are acted on by a uniform magnetic field over the whole area of the dees. Each proton moves in a semi-circular path at constant speed when inside a dee. There is an alternating electric field applied between the dees, so that every time a proton crosses the gap it is accelerated.



- (a) State the direction in which the magnetic field should be applied in order for the protons to travel along the semicircular paths inside each of the dees as shown.

(1 mark)

In a particular cyclotron the flux density of the uniform magnetic field is 0.480 T.

- (b) Calculate the speed of a proton when the radius of its path inside the dee is 190 mm.

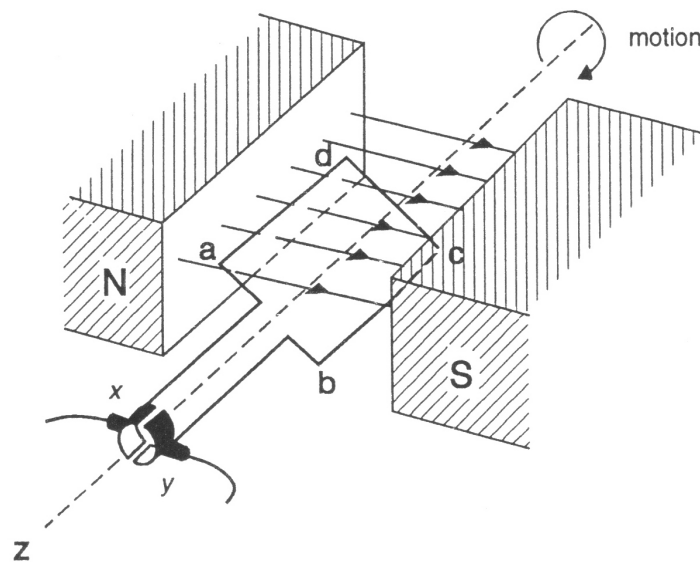
(5 marks)

- (c) Calculate the time taken for this proton to travel at constant speed in a semi-circular path of radius 190 mm inside the dee.
(3 marks)

Question 7

(10 marks)

The diagram below shows a model DC motor. A battery is connected between *x* and *y* (see diagram). The coil is now rotated continuously in the same direction.



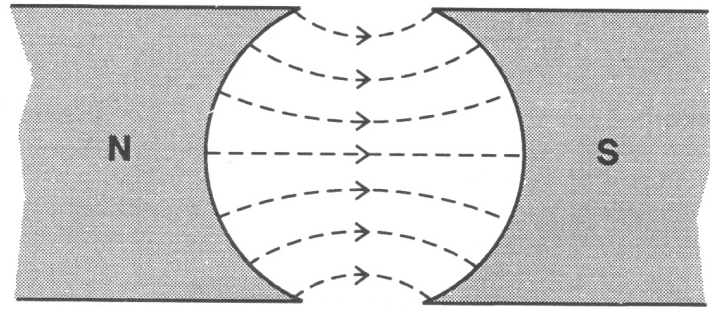
- (a) State the name of the device located between *x* and *y* and explain its purpose.
(2 marks)

- (b) State how the terminals of the battery should be connected to x and y to make the coil rotate clockwise as viewed from Z .
(1 mark)

The coil $abcd$ of the motor is formed from 50.0 turns of wire. Each turn is rectangular, having length 5.00 cm (sides ad and bc) and width 3.00 cm (sides cd and ab). The magnetic field can be assumed to be uniform and have a value of 48.0 mT.

- (c) Calculate the force on the side ad of the when the coil is in the orientation shown above and the current in the coil is 2.00 A.
(4 marks)

Curving the pole pieces of a magnet produces the magnetic field as shown below.



- (d) State the effect that curving the pole pieces has on the average torque produced by the motor. Explain your reasoning. (3 marks)

Question 8**(11 marks)**

A satellite of mass 2.52×10^3 kg is at a height of 1.39×10^7 m above the surface of the Earth.

- (a) Calculate the gravitational force of the Earth attracting the satellite.
(3 marks)

- (b) The satellite in part (a) is in a circular polar orbit. Calculate the number of times the satellite would travel around the Earth every 24 hours.
(5 marks)

- (c) A solar panel on the satellite's wing has not been connected properly and falls off so that the overall mass of the satellite is less. Describe how this will affect the motion of the satellite, making reference to appropriate formulae.

(3 marks)

END OF SECTION

This page has been left blank intentionally

**YEAR 12
PHYSICS STAGE 3
TRIAL EXAMINATION 2015**

Section Three: Comprehension

This section has **two (2)** questions. Answer **all** questions. Write your answers in the space provided.

Suggested working time for this section is **40 minutes**.

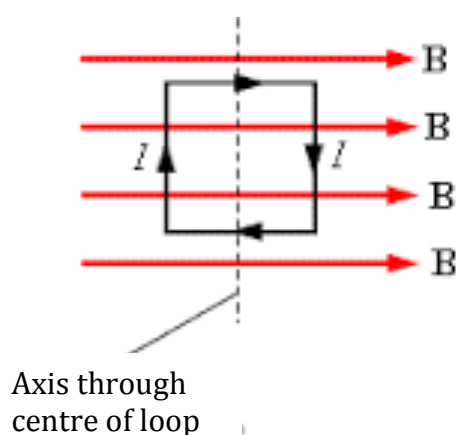
NAME: _____

This page has been left blank intentionally

Question 1**(21 marks)****Nuclear Magnetic Resonance Spectroscopy**

Nuclear Magnetic Resonance (NMR) was discovered in 1946 and is a powerful research tool in a variety of fields including physics, chemistry and biochemistry. In more recent times it has been developed into an important and widely used medical imaging technique.

If we place a loop of wire carrying an electric current in a magnetic field, such as in the diagram below, it will experience a torque on it. This is called a **magnetic moment**. If allowed to rotate freely, the plane of the loop would align itself with the magnetic field.

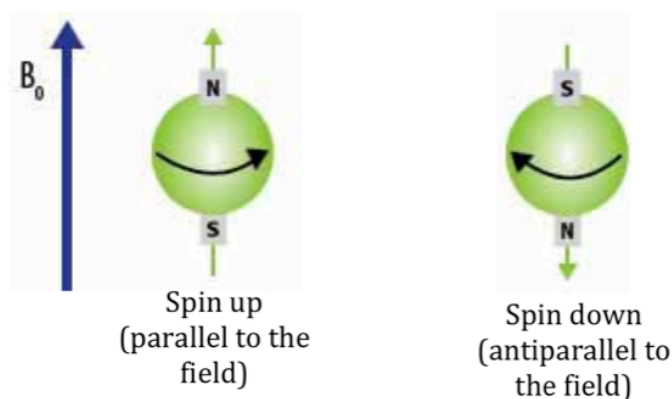


This principle can be applied to electrons in an atom.

As electrons in atoms orbit the nucleus, they also act as tiny current loops with an associated property called **spin**. This property acts like the magnetic moment of a current loop. Spin can take on one of two values:

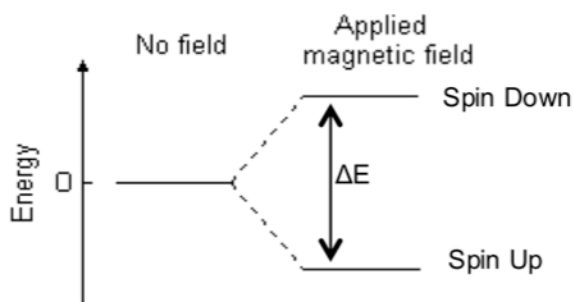
1. Spin up – parallel to the field
2. Spin down – antiparallel to the field

These states can be visualised as arrows pointing up and down, as shown in the diagram below.



Nuclei also exhibit these magnetic properties. Hydrogen, the simplest nuclei, consists of a single proton. Its spin, like that of an electron, can only take on two values when placed in a magnetic field: spin up and spin down.

When a magnetic field is present, the energy level of the nucleus splits into two levels, as shown in the diagram below, with the spin up having the lower energy.



The difference in energy between these two levels is proportional to the total magnetic field,

$$\Delta E = kB_T$$

Where B_T is the total magnetic field at the nucleus and k is a proportionality constant that is different for different nuclides.

In a standard NMR setup, the sample to be examined is placed in a static magnetic field. A radiofrequency (RF) pulse of electromagnetic radiation is applied to the samples.

If the frequency of this pulse corresponds precisely to the energy difference between the two energy levels so that;

$$hf = \Delta E = kB_T$$

the photons of the RF beam are absorbed, exciting many of the nuclei from the lower state to the upper state. This is termed a resonance phenomenon, as it is similar in principle to resonance in sound waves, hence the name 'nuclear magnetic resonance'.

- (a) Explain why this can be considered a resonance phenomenon. (2 marks)

For producing medically useful NMR images (often called MRI or magnetic resonance imaging), the element most often used is hydrogen since it is the most common element in the human body and gives the strongest NMR signals. The formation of a two-dimensional or three-dimensional image can be done by measuring the intensity of the absorbed and/or re-emitted radiation from many different points of the body. But how can we determine from what part of the body a photon comes?

One technique is to give the magnetic field a gradient, so instead of applying a uniform magnetic field, it is made to vary with position across the width of the sample or patient.

- (b) Explain how the graduated magnetic field would this allow you to work which part of the sample a photon was emitted from. (3 marks)

The following data was collected when investigating the energy emitted from a particular nuclide at different magnetic field strengths:

ΔE ($\times 10^{21}$ eV)	B (T)	
7.24	2.21	
21.7	5.78	
29.0	7.91	
43.4	12.3	
57.9	16.2	
72.4	19.4	

(c) Process the data in order to plot a graph of f vs B .

(5 marks)

(d) Plot a graph of f vs B on the graph paper provided.

(5 marks)

(e) Determine the gradient of the graph.

(3 marks)

(f) Use your gradient to calculate the value of k for this nuclide. Include units in your answer.

(3 marks)

Question 2**(15 marks)****The Physics of Drones – The Quadcopter Revolution**

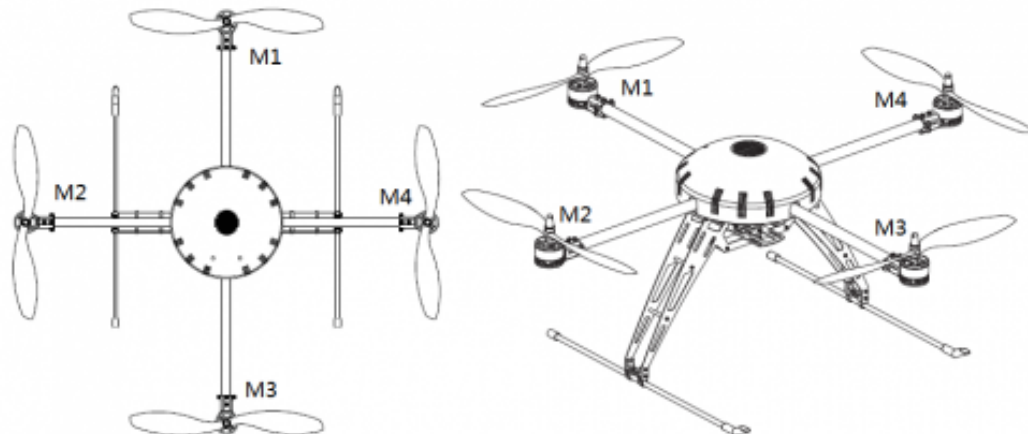
Drones, or 'quadcopters' are popular devices that have some level of autonomy meaning they can fly, hover, or navigate without input from a pilot or remote control.



Drones need multiple horizontal rotors in order to achieve the level of control necessary for the unmanned aerial vehicle to be self-reliant. The rotors generate a lift force as they rotate, with a faster rotation generating more lift.

If one of the rotors fails, the aircraft can still stay aloft with the remaining rotors working together to compensate. In addition, the more rotors that you have, the more lift an aircraft will generate, allowing it to carry a heavier load, something that comes in handy when you're attaching a camera to a drone.

The diagram below shows the structure of a drone as viewed from above and from the side.



- (a) Based on the information in the diagram, state how each rotor would have to change the speed of its rotation to maintain the same altitude if rotor M3 were to fail. Explain your answer.

(4 marks)

It takes a source of potential difference to get the rotors spinning. Drones typically come with a removable battery that provides around 12 minutes of flight time. Many drone makers sell alternative batteries, which can provide up to 25 minutes of flight. However, greater potential difference means more weight.

- (b) Compare the rate of energy transfer for a heavier drone to a lighter one. Explain your reasoning.

(2 marks)

- (c) A battery salesperson states that “a battery which is twice as heavy will provide twice as much flight time”. Is the salesperson correct? Explain your answer.

(2 marks)

Drones require a controller that needs to communicate with the drone. They often operate using radio waves. Drones are typically run by 2.40 GHz ultra high frequency radio waves.

- (d) Concerns have been raised about the use of mobile phones (which operate using microwaves) whilst operating drones, based on their operating frequency. Suggest why this may be the case.

(2 marks)

When it comes to flying, onboard sensors keep drones in the air. For instance, an altimeter lets the drone know its altitude. When you set the aircraft to hover in place, a chip will tell the drone to maintain that height. Meanwhile, ultrasonic sensors tell the drone how close it is to the ground.

A drone is programmed to assume the speed of sound in air is 340 ms^{-1} . In a test flight, an ultrasound signal is sent from the drone and received back at the drone after a time interval of 2.15 s.

- (e) Calculate the height the drone is above the ground.

(3 marks)

(f) Explain why the calculated height is not likely to be accurate.

(2 marks)

END OF SECTION

This page has been left blank intentionally